

Screen range



Technical solar protection



Description

This solar protection system is ideal for both interior and exterior use and ensures effective light control. A product that combines cutting-edge design and functionality, opening interior spaces to the exterior while protecting privacy. In addition to their highly decorative aspect, screens offer other benefits such as providing energy savings by reducing interior temperatures, protecting property and people from ultra-violet rays, and creating a more comfortable environment.

Ideal for installation

- On the inside and outside of windows and glass surfaces

Finishes

- Lacquer in accordance with QUALICOAT standards
- Stainless steel screws and bolts



Features:

- Cutting-edge decorative design.
- An ideal solution for specific architectural needs (buildings in which exterior solar protection products cannot be installed).
- Adapts easily to any setting.
- Provides privacy.



SCREEN

► Effective light management

► What does effective solar protection offer?

- Controls and filters light coming from outside
- Saves energy by reducing the interior temperature, making more efficient use of heating and air-conditioning systems
- Protects privacy from the exterior: see without being seen
- Opens interior spaces visually to the exterior
- Provides visual comfort
- Controls glare on computer and other types of screens
- Prevents sharp differences and contrasts of light
- Protects property and people from UV rays
- Creates more comfortable and productive settings
- Helps to provide a higher quality of life
- Fits in with the décor of the setting

► How are decoration and functionality combined?

Shades have always been an important decorative element. Over time, their use has become more and more associated with solar protection.

Open spaces, glass surfaces and minimalist decorations require elements which can be integrated with the environment and provide added value to the project.

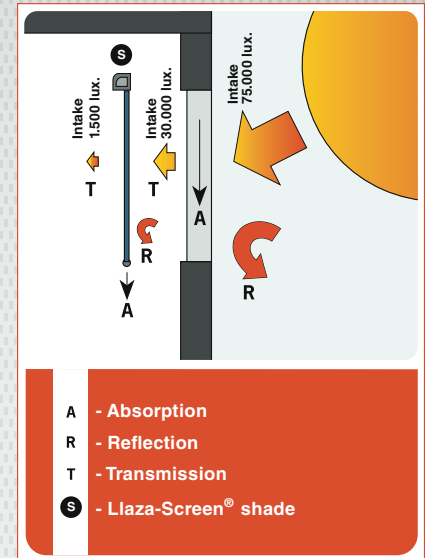
The technology used in the manufacture of new high-tech fabrics cases made of advanced materials like polyester, resins, PVC or fibreglass makes it easy to provide a setting with the benefits of solar filtering while positively contributing to its décor. What's more, in some cases the fabrics can be treated with fire-retardant substances to bring them into compliance with even the strictest safety standards.



► How much light is enough?

A desirable **light level** in any space should be between **500 and 1.800 lux***. Fluctuations in exterior sunlight on a sunny day can reach levels of 100,000 lux. Without any type of protection, only glass, the light intensity in the interior of a room oscillates between 10,000 and 30,000 lux.

This situation can make people feel uncomfortable in different ways: it can cause a harsh glare, damage eyesight and cause the sensation of excessive heat. It can also damage furniture, causing colours to fade, and let harmful UV radiation directly into the room.



*lux: unit of measurement for luminosity or light level. Equivalent to one lumen/m²

Managing interior temperature

The light that enters a space has three effects: **reflection, absorption and transmission**. Reflection is the amount of light that is bounced back towards the exterior, absorption is solar energy taken in by the fabric and irradiated as heat, and transmission is the energy that passes into the interior of the room in the form of light. By using high-tech fabrics – depending on their colour and composition – you can effectively regulate the amount of light and heat that is transmitted.



Without a solar protection system



With an interior solar protection system



With an exterior solar protection system

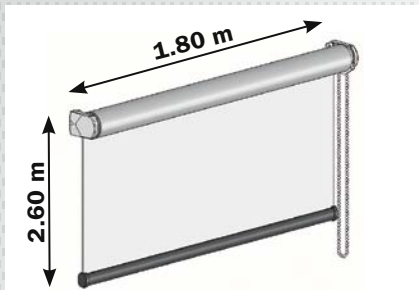
Screen range



ROLL SYSTEM +

ROLL SYSTEM + 2

Dimensions



(Minimum dimensions: 0.60 X 0.60 m)

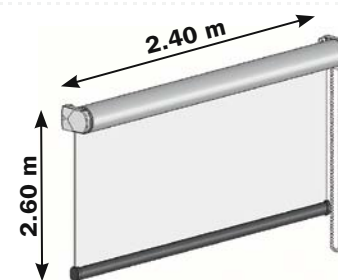
Available fabrics

- Soltis®
- Screen®

Installation

- Interior

Dimensions



(Minimum dimensions: 0.60 X 0.60 m)

Operation

- Chain



Bracket colours

- White

Available fabrics

- Soltis®
- Screen®

Mounting

- Ceiling
- Wall

Guides

- Without guides

Installation

- Interior

Mounting

- Ceiling
- Wall

Guides

- Without guides

Operation

- Chain



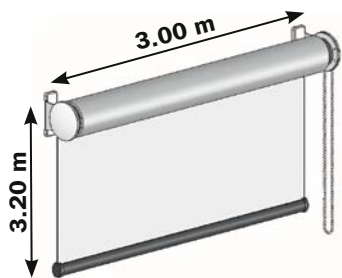
Bracket colours

- White
- Black



ROLL SYSTEM + 3

Dimensions



(Minimum dimensions: 0.60 x 0.60 m)

Operation

- Chain



Bracket colours

- White
- Black

Available fabrics

- Soltis®
- Screen®

Installation

- Interior

Mounting

- Ceiling
- Wall

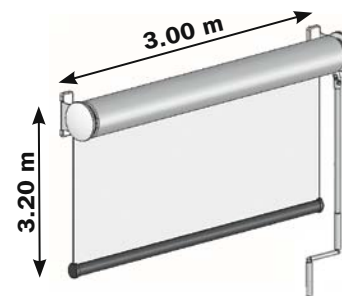
Guides

- Without guides



ROLL SYSTEM - MANIVELA

Dimensions



(Minimum dimensions: 0.60 x 0.60 m)

Operation

- Hand crank



Bracket colours

- White
- Black

Available fabrics

- Soltis®
- Screen®

Installation

- Interior

Mounting

- Ceiling
- Wall

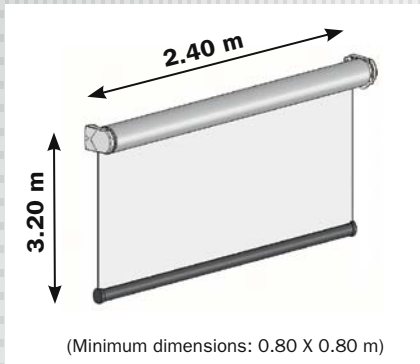
Guides

- Without guides



ROLL SYSTEM MOTOR BASIC

Dimensions



Operation

- Motorised



Bracket colours

- White 
- Black 

Available fabrics

- Soltis®
- Screen®

Installation

- Interior

Mounting

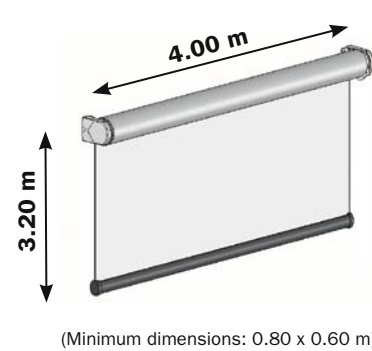
- Ceiling
- Wall

Guides

- Without guides



Dimensions



Operation

- Motorised



Bracket colours

- White 
- Black 

Available fabrics

- Soltis®
- Screen®

Installation

- Interior

Mounting

- Ceiling
- Wall

Guides

- Without guides



SCREENBOX 75

Dimensions



Operation system	Maximum dimensions
Chain	2.40 m x 2.60 m
Hand crank	2.40 m x 2.60 m
Motor	2.60 m x 2.60 m

(Minimum dimensions: with chain or hand crank, 0.60 x 0.60 m; with motor, 0.80 x 0.80 m)

Mounting

- Ceiling
- Wall (with bracket)

Guides

- Without guide
- With cable guide
- GL 31
- GL 49
- GF 49

Available fabrics

- Soltis®
- Screen®

Operation

- Chain
- Hand crank
- Motorised



Profile colours

- White
- Other colours available on request

With cassette system

Installation

- Interior



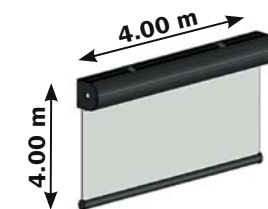
SCREENBOX 105

Dimensions

- With hand crank



- With motor



(Minimum dimensions: 0.80 x 1.00 m)

Installation

- Interior
- Exterior

Operation

- Hand crank
- Motorised



Colours available

- White
- Other colours available on request

Available fabrics

- Soltis®
- Screen®

With cassette system

Mounting

- Ceiling
- Wall (with bracket)

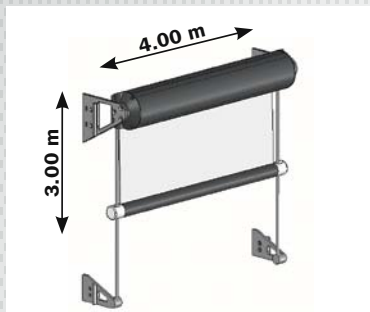
Guides

- Without guide (only for indoor mounting)
- With cable guide
- GL 31
- G80
- Zip



SCREENBOX 110

Dimensions



(Minimum dimensions: 1.00 x 1.00 m)

Profile and brackets colours

- White
- Other colours available on request

Available fabrics

- Soltis 92°
- Screen 5500°

Mounting

- Ceiling
- Wall

Guides

- Cable guide
- Rod guide

Operation

- Motorised



Installation

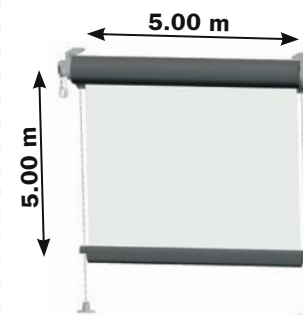
- Exterior

With cassette system



SCREENBOX 130

Dimensions



Operation

- Hand crank
- Motorised



Installation

- Interior
- Exterior (always with guides and motorised)

Mounting

- Frontal

Guides

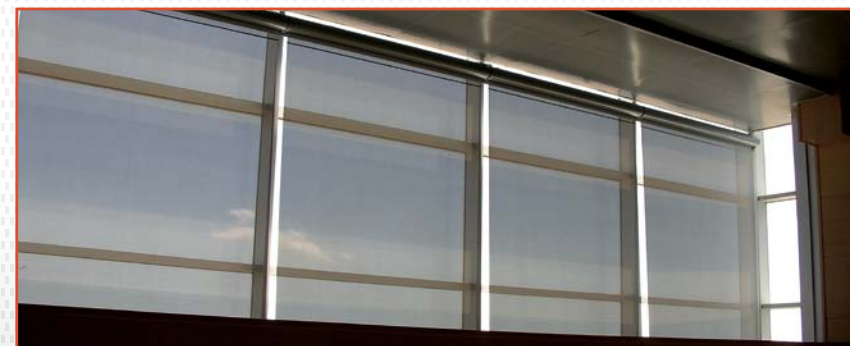
- Cable guide
- Rod guide
- Without guide (only for indoor mounting)
- Zip

Profile and brackets colours

- White
- Other colours available on request

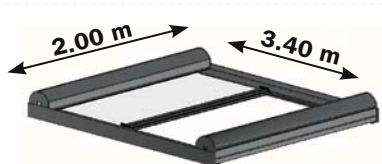
Available fabrics

- Soltis
- Screen



SCREENBOX DUO

Dimensions



(Minimum dimensions: 0.80 x 0.80 m)

*Maximum dimensions with motor. Maximum dimensions with hand crank 1.60 x 2.40

Mounting

- Ceiling

Profile colours

- White
- Other colours available on request

Installation

- Interior



Operation

- Hand crank
- Motorised



Available fabrics

- Soltis 92°
- Screen 5500°

With cassette system

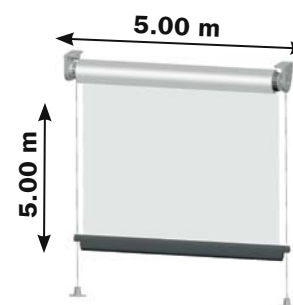
Guides

- GF 49
- G80

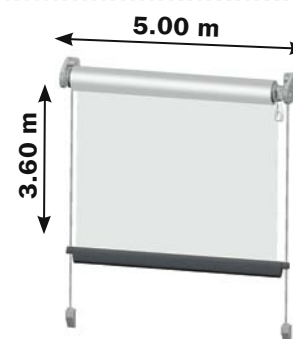
MAXISCREEN

Dimensions

- With motor



- With hand crank



(Minimum dimensions: 1.00 x 1.00 m)

Installation

- Interior
- Exterior (always with guides and motorised)

Operation

- Hand crank
- Motorised



Available fabrics

- Soltis°
- Screen°

Guides

- Without guide (only for indoor mounting)
- With cable guide
- Rod guide

Mounting

- Ceiling
- Wall
- Between walls

Bracket colours

- White
- Other colours available on request



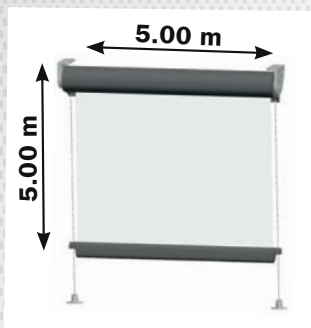
Gama Screen



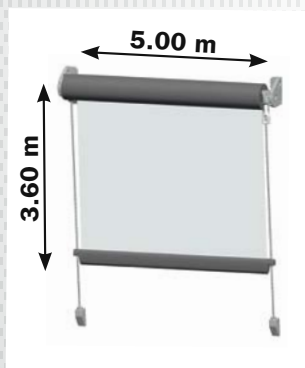
MAXISCREENBOX

Dimensions

- With motor



- With hand crank



(Minimum dimensions: 1.00 x 1.00 m)

Mounting

- Wall
- Ceiling
- Between walls

Guides

- Without guide (only for indoor mounting)
- With cable guide
- Rod guide



Operation

- Hand crank
- Motorised



Installation

- Interior
- Exterior (always with guides and motorised)

Profile and brackets colours

- White
- Other colours available on request

Available fabrics

- Soltis®
- Screen®

